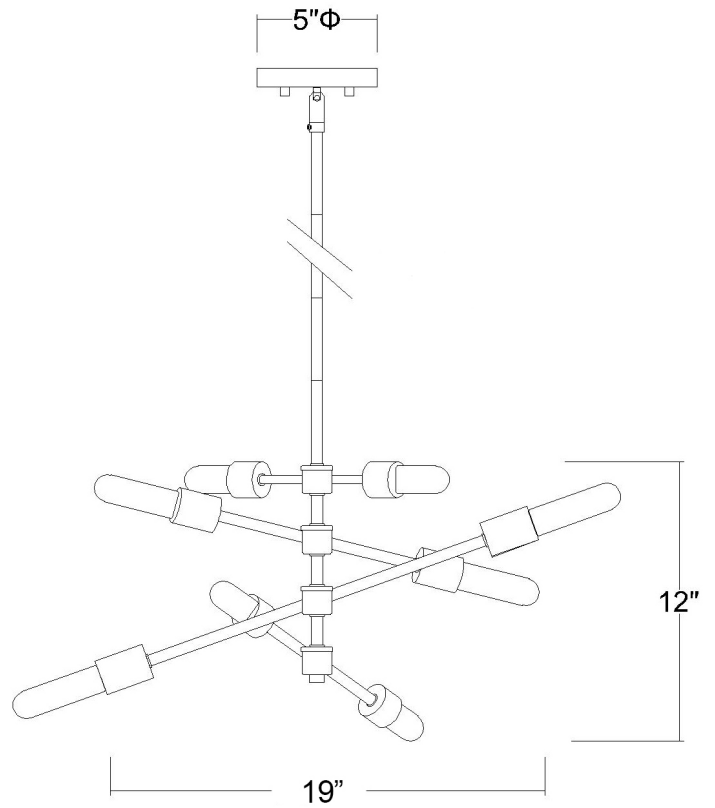


IN21160ORB

CALIX 8-LIGHT PENDANT



Description: Calix 8-Light Pendant

Finish: Oil Rubbed Bronze

Dimensions: 19" D x 12" H

Bulbs: 8-60W Med.

Installed Weight: 8.75 lbs.

Certification: cUL / dry location

**dimensions do not include bulb*

Material: Steel

Shades: NA

Glass: NA

Canopy Dimensions: 5" Dia.

Chain/Wire: 12' Wire

Stems: 3-12", 1-6", 1-3"

Additional Finishes: SN